



This data sheet
interacts with
MCS Catalogue

HepcoMotion®

MCS - RapiLok

HepcoMotion® RapiLok is a new style of profile connector for use with the MCS aluminium frame and machine construction system, and provides a **quick** and **rigid** joint. Designed for use with Hepco MCS slot 10 profiles*1, to secure two sections of profile mounted at right angles, RapiLok has significant benefits over alternative profile connections.

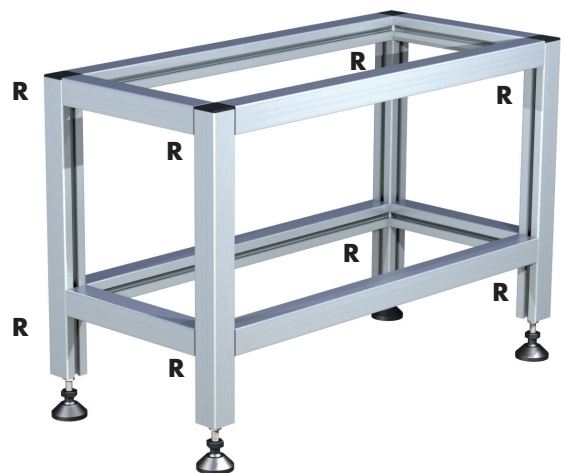
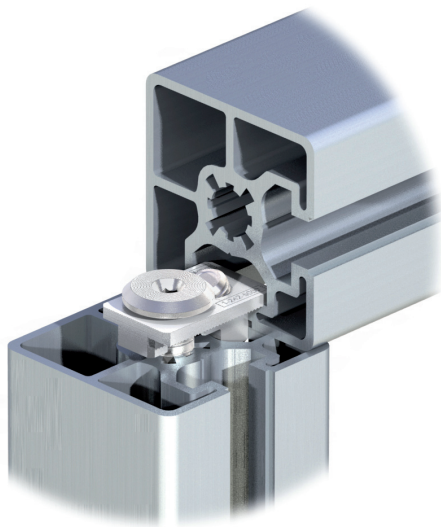
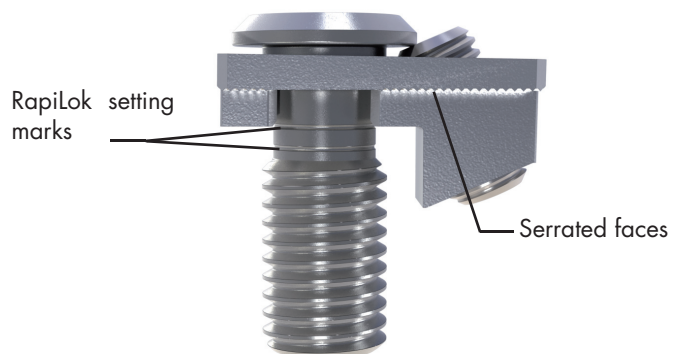
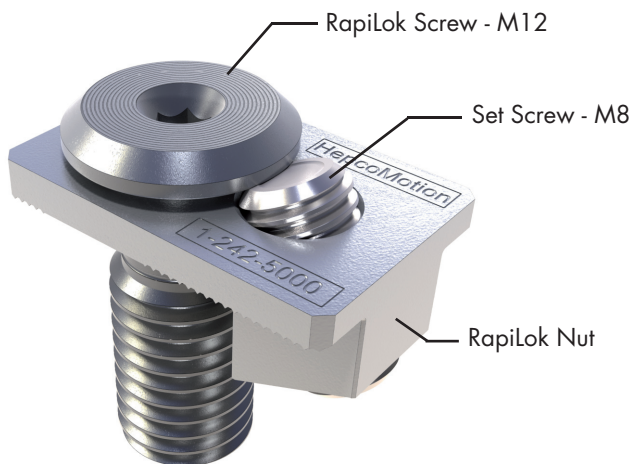
RapiLok is a **no-drill** connector, profiles require **no machining**, and only one profile needs to be tapped, significantly **reducing costs**, and avoids fiddly assembly associated with brackets, **reducing assembly time**. The design of RapiLok ensures that the resulting joint is **anti-rotation**, and therefore suitable for twisting loads.

Assembly is carried out using a single hexagon key, and takes a matter of **seconds**. Serrated faces on the underside of the nut, grip onto the smooth faces on the MCS profiles, making it the ideal choice in applications where additional loads are applied.

RapiLok is easily **adjustable**, can be used in multiple orientations, and leaves profile T-slots free for panels etc.

Visit www.HepcoMotion.com/MCSdatauk and select RapiLok to view a product demo or contact our sales department for a RapiLok sample.

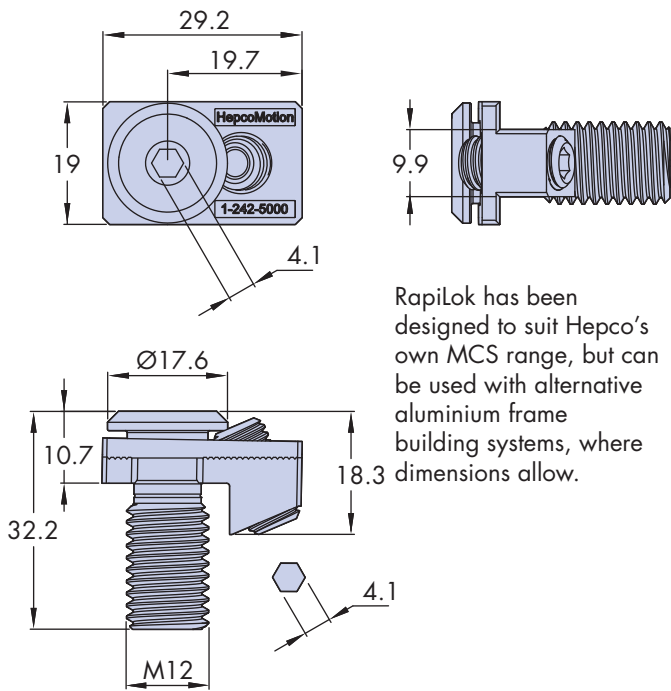
RapiLok



Typical joint detail **R** using RapiLok

MCS - RapiLok

Data and Dimensions



RapiLok has been designed to suit Hepco's own MCS range, but can be used with alternative aluminium frame building systems, where dimensions allow.

		RapiLok Capacity		
RapiLok Mounting Direction	Load Type	Direct N	Offset Nm	Twisting Nm
	Working	1410	114	9
	Max	2170	176	14
	Working	1100	Not Recommended	10
	Max	1690		15

machining required making the assembly process quicker and more cost effective.

RapiLok is also adjustable, therefore if requirements change the nut can be loosened, re-positioned and tightened in a matter of seconds.

Ordering details

RapiLok fasteners are supplied in packs of 10, complete with a set of assembly instructions. Please order using part number;

1-242-5000-10 - 10 off RapiLok fasteners

Notes:

- The RapiLok fastener is not compatible with the following MCS slot 10 profiles; 45x60 (0-132-4560 & 0-132-4561); 60x60 (0-132-6060, 0-132-6061 & 0-132-6090); 90x90 (0-132-9090) and 45° (1-242-4700).

HepcoMotion®, Lower Moor Business Park,
Tiverton Way, Tiverton, Devon, England EX16 6TG

Tel: +44 (0) 1884 257000

Fax: +44 (0) 1884 243500

E-mail: sales@hepcotion.com

Web: www.HepcoMotion.com

Ref: MCS RapiLok 02 UK

RapiLok Assembly

MCS Size	△
40x40, 40,80, 80x80 ...	4
45x45, 45x90, 90x90L ...	6
45x60, 60x60, 90x90 ...	X

The RapiLok screw has two setting marks, as shown above. The first line is for size 40 & 80 family profiles, and the second for 45 & 90 family profiles. Depending on which size profile is to be connected, position the screw so that the corresponding mark is lined up with the profile edge.

Slide the profile over the nut, in the direction shown.

Position the profile and tighten the M8 set screw to 18Nm max.

A MCS profile joint constructed with RapiLok has similar capacity compared to other connections, this plus the benefit of anti-rotation makes RapiLok suitable for many applications. As only one profile needs to be tapped, there is no additional

Scan this QR code to link directly to the HepcoMotion Home page

