

BISHOPWISECARVER[®]

DUALVEE[®] Motion Technology[®]

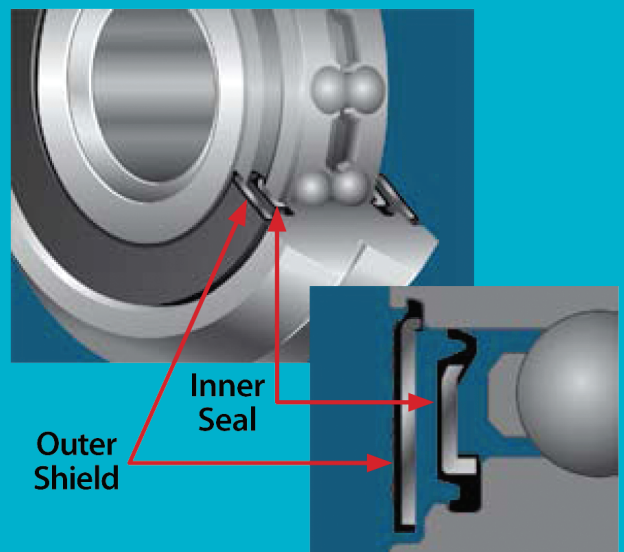
DualVee[®] Washdown Wheels For Applications in Washdown Environments

Proven to extend life in harsh and extreme environments – **at least 3x***

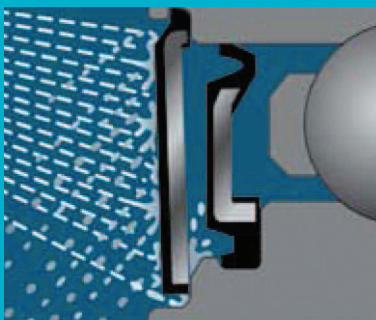
FDA approved grease

AISI type 440C stainless steel balls and races

Unique outer shield and inner seal for exceptional protection from liquid and debris



Patent Pending Design



How it works

The overmolded metallic shield acts as a primary seal when subjected to a stream of high pressure washdown fluid. The pressure causes the shield to deflect, and the soft outer rubber layer compresses against the metallic surface of the wheel, forming a momentary seal that prevents the ingress of the liquids. The inner seal provides a secondary line of defense, keeping external fluids out of the wheel and retaining the internal lubrication grease; both important factors affecting the life of the wheel.



Once the stream is directed away from the wheel, the deflected shield returns to its original position, allowing any residual fluid that entered the area between the shield and seal to drain out or be spun out by centrifugal force.

*Bearing life is dependent on factors such as duty cycle, cleaning agents used, and frequency of washdown procedures. One equipment manufacturer reports **6x life**, and still running.

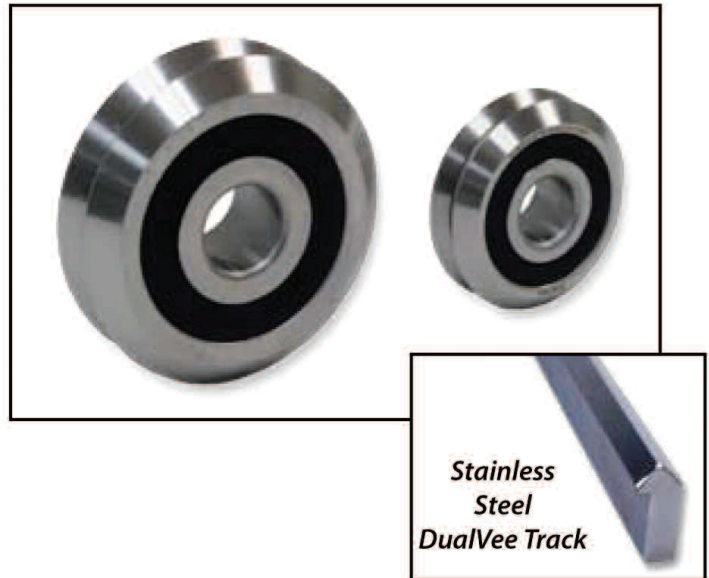
HEPCO[®]
www.HepcoMotion.com



Bishop-Wisecarver's new DualVee® washdown wheels can **increase replacement intervals a minimum of three-fold**, and are interchangeable with standard vee wheels for ease of replacement.

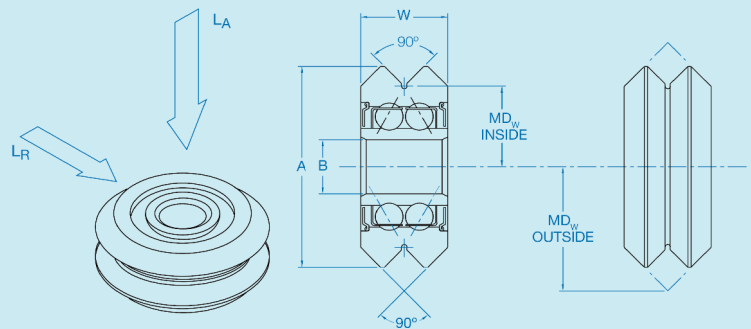
Standard DualVee AISI type 420 stainless steel track complements the washdown wheel offering. Additional track surface treatments are also available for enhanced corrosion resistance.

DualVee® Washdown Wheels protect against ingress of liquid making them ideally suited for food and beverage applications, as well as any high speed water jet cutting machinery. These applications typically require frequent bearing replacement due to the ingress of highly corrosive fluids and loss of lubrication.



For best results use with Pristinox finished stainless steel drilled DualVee® track T2SSD and T3SSD - Pristinox.

Standard or low profile stainless steel wheel support bushes are available, please refer to the DualVee® catalogue.



Part Number	Radial Load (N)	Axial Load (N)
WDW2SSX	2,420	400
WDW3SSX	5,200	580

Size	Outside Diameter A	Bore Size B (+0 - 0.007)	Width W (+0 - 0.12)	Inside Vee Radius MD _w	Outside Vee Radius MD _w
2	30.73	9.53	11.13	12.70	18.26
3	45.8	12.00	15.88	19.05	27.00

HepcoMotion®
 Lower Moor Business Park Tiverton Way Tiverton
 Devon England EX16 6TG
 T: +44 (0) 1884 257000 F: +44 (0) 1884 243500
 Email: sales@hepcotion.com www.hepcotion.com



INVESTOR IN PEOPLE

HepcoMotion®